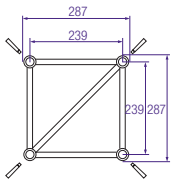


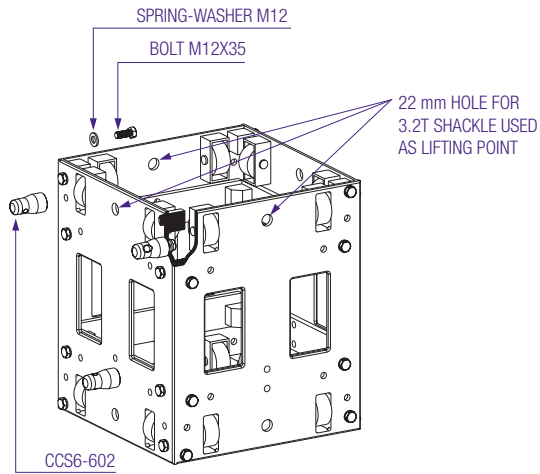
# MPT TOWER



Photo: JSA, Russian Federation.

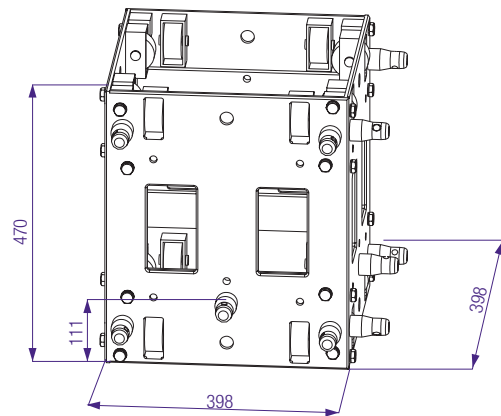
The MPT tower is based on H30V truss and employs a sleeve block that fits to any of the 30 or 40 Series trusses on all four sides by means of bolted CCS6 couplers (either male or female). In combination with an adapter plate, it is also possible to use the sleeve block with either S36R or S36V truss. The MPT tower has a self-weight of 115 kg. The MPT sleeve block is a fully bolted structural element, making it much stronger and more precise than conventional welded versions. The top section and base section can facilitate the use of either a hand winch or a chain hoist. The MPT tower is a cost-effective investment. You need only purchase the special parts if you wish to expand your truss system with towers.





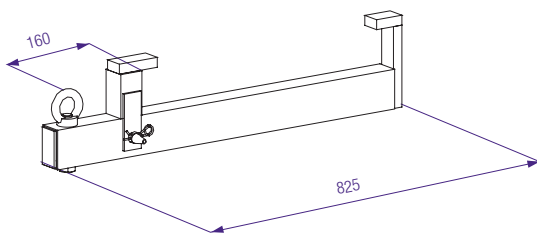
**MPT - 010**

Sleeve block.



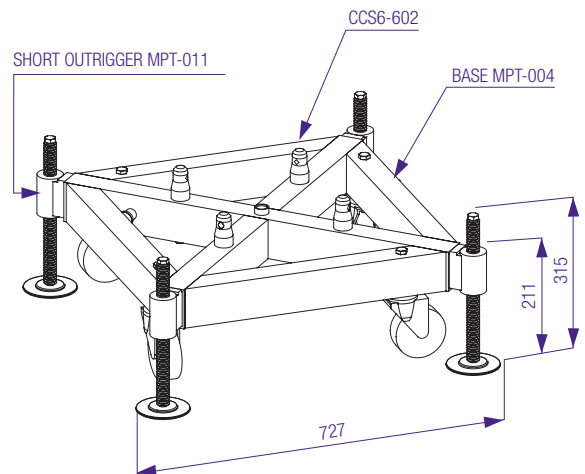
**MPT - 010**

Sleeve block.



**MPT - 041**

MPT Motor attachment. WLL 1000 kg.

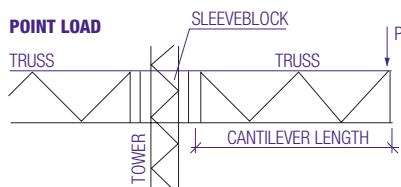


**MPT - 004**

Base with MPT - 011 short outriggers.

**MPT - 010 Sleeve Block - Allowable cantilever load**

Length (L)	H40V	H40D	H30V	H30D
	X40V PL (kg)	X40D PL (kg)	X30V PL (kg)	X30D PL (kg)
0,5	400	160	400	130
1	200	80	200	65
1,5	130	50	130	40
2	100	40	100	30



**Technical specifications - MPT Tower**

max. height	8.00 m
max. loading capacity	1000 kg*
max. load handwinch	750 kg (750M Tower)
type mast sections	H30V
sleeve block suitable for truss-series	x or H30D, x or H30V, x or H40D and x or H40V, S36R, S36V
alloy alu parts	EN-AW 6082 T6
coupling system tower	CCS6 series
self weight	115 kg

\* There is a structural relation between tower height and size, further the applied load and the method of restraining the tower base and top also have its influence on the total loading capacity. All these factors must be taken into consideration when determining the allowable load.

More information can be found in the Prolyte BlackBook.

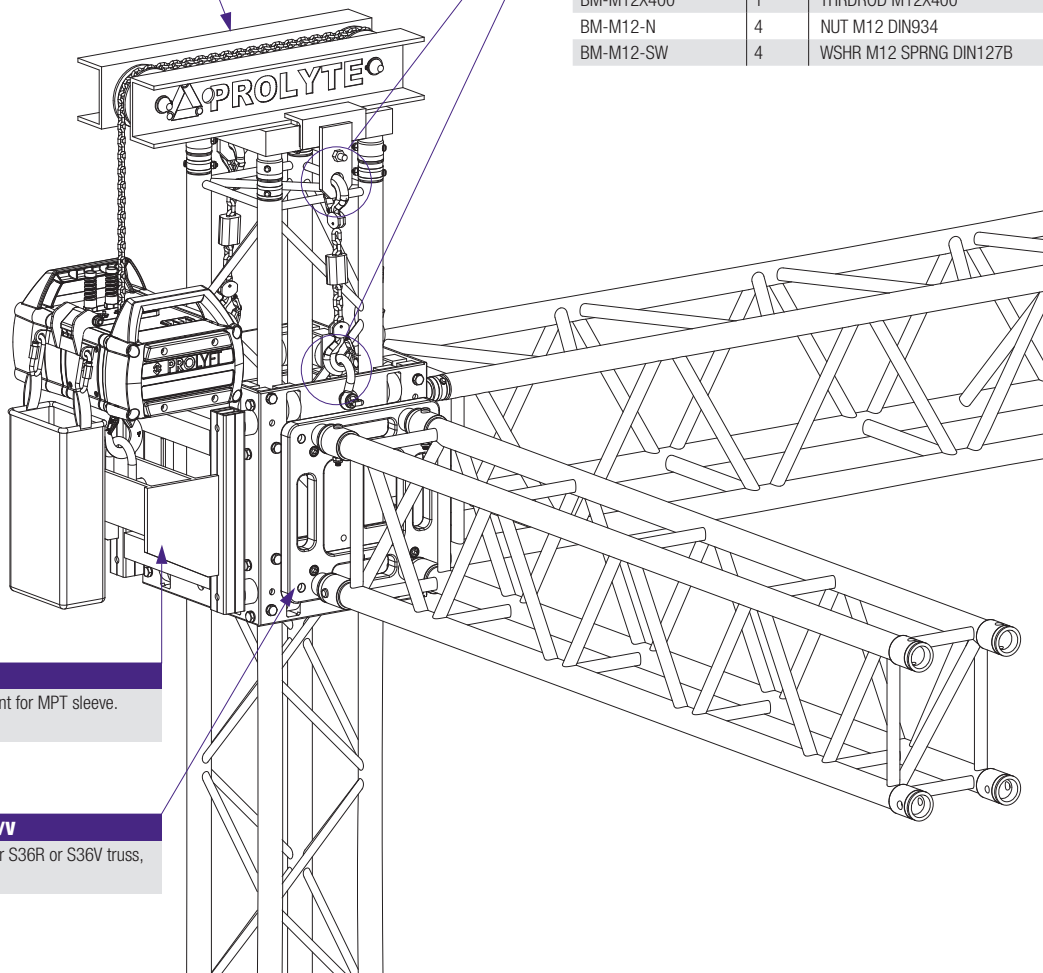
# MPT TOWER

## MPT - 009

Top section. Pulley suitable for 6,7 and 8 mm chain.

## MPT Safe

Code	Pieces	Description
MPR-009	2	MPT SLEEVE/ATTACH HIJSOOG
RI-SH3.2T	2	SHACKLE 3 2T WITH BOLT/NUT/PIN
CH-07-150CHH	2	CH 1.5T,L=150,CLUTCH,HOOK
BM-M12X400	1	THRDROD M12X400
BM-M12-N	4	NUT M12 DIN934
BM-M12-SW	4	WSHR M12 SPRNG DIN127B

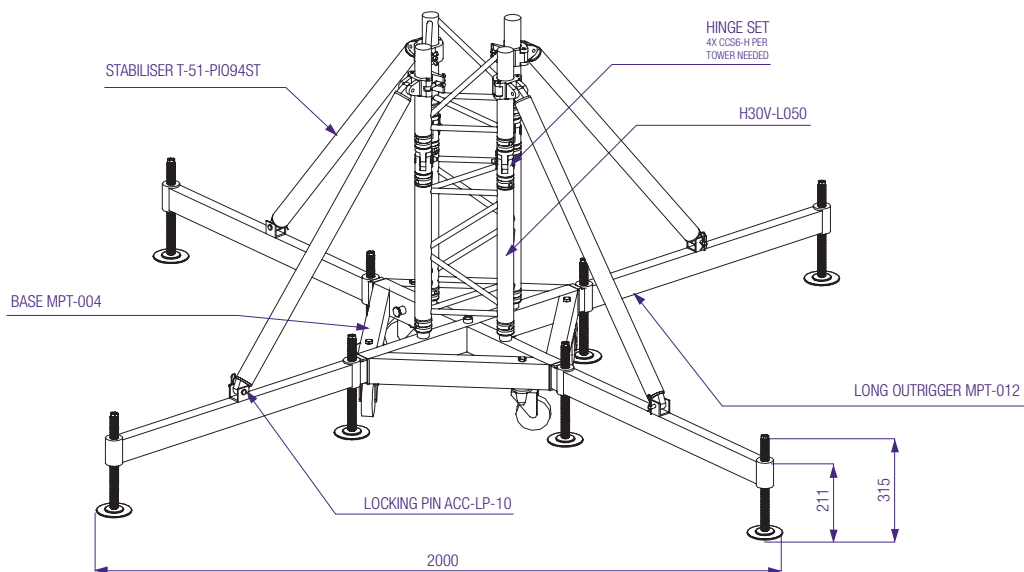


## MPT - 042

Motor attachment for MPT sleeve.  
WLL 1000 kg.

## ACC - A - 36R/V

Adapter plate for S36R or S36V truss,  
WLL 1000 kg.



## MPT - 004

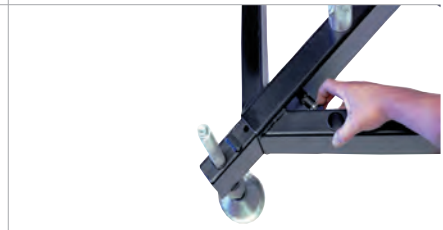
Base with MPT - 012 long outriggers.



**1** The black coated, steel base (MPT-004) is equipped with 4 castors and four half conical couplers (CCS6-602) for the attachment of the mast section. The base can be used with either short outriggers (MPT-011) or long outriggers (MPT-012), depending on the tower configuration.



**2** To secure the outriggers within the base, a trigger pin is placed on the inside of the base frame. Pull the pin outwards when mounting the outriggers.



**3** Disassemble the hinge set, mount the half hinges to both the mast sections (H30V truss). Male and female connections should be mounted diagonally (as shown in the picture) in order to facilitate the erection of the mast.



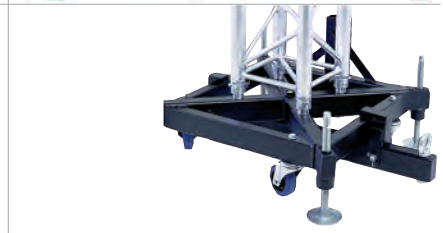
**4** A completely mounted hinge set. First locate the hinge pins on one side. The truss now works as a hinge and can be erected easily. Subsequently locate the remaining hinge pins in the other side to fix the mast into position. Per tower 4 x CCS6-H needed. (hinge set MPT•ST tower).



**5** Unscrew the screw jacks in the outriggers. Make sure that the castors of the base are free of any load. The complete load of the base should be supported by the screw jacks. Level the base by adjusting the screw jacks. The base must be perfectly level before the mast is erected. Long outriggers are needed for structures with three towers or less. Make sure the screw jacks can absorb tower forces trough filler plates where needed.



**6** To use the MPT tower in combination with a chain hoist, ProlyteStructures provides the motor attachment (MPT-041). This supplementary component can be attached to the base and has a fixing point for the chain hoist hook.



**7** The sleeve block is lifted by use of a chain hoist or a hand winch. Chain hoists can be mounted with the help of the motor attachment (MPT-042).



**8** ProlyteStructures recommends that, during storage and transportation, the MPT towers be mounted as an assembly of the following components: base section, 50 cm mast section, sleeve block, hinges and top section. This combination facilitates fast, efficient loading and building of the towers (size 60 x 60 x 115 cm, weight +/- 115 kg).

# MPT TOWER - OPTIONS

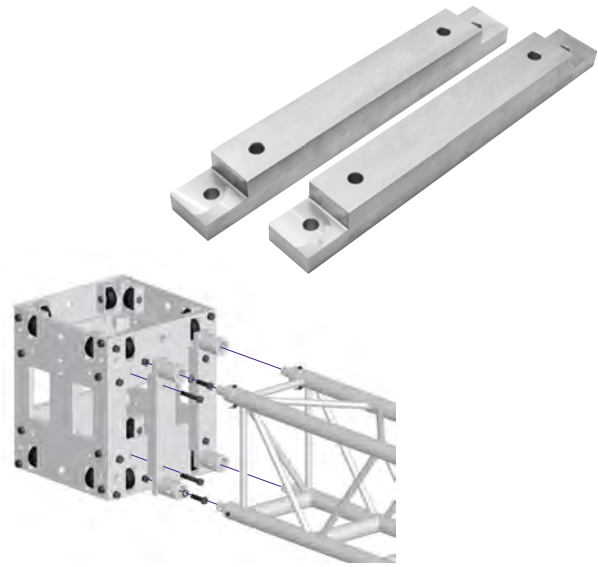
## H40R TO MPT SLEEVE BLOCK ADAPTER

The H40R truss is a rectangular standard H40 truss with a very clever program of specifications. The H40R measures 387 mm high by 287 mm wide. For the H40R Prolyte Group has developed a special adapter to be able to mount this flexible truss type on the MPT tower system, thereby offering more application possibilities.

The H40R is available in all standard lengths as well as a box-corner. Apart from the standard lengths and box corner for the H40R range, Prolyte Group offers a box corner attachment and the H40R MPT adapter; completing the H40R range to a convenient and flexible range.

Depending on the coupling method, the following bolts are required to attach the adapter:

- To attach the H40R-MPT010-ADAP to the sleeve block: BM-M12X075 + BM-M12-N + BM-M12-SW
- To attach the CCS6-651: BM-M12X050-IB + BM-M12-SN + BM M12-SW
- To attach the CCS6-602: BM-M12X040 + BM-M12-SW



## MPT BALLAST FRAME

The ballast frame MPT-005 is designed to offer a safe, engineered and easy solution for your ballast requirements. These aluminium frames are simply mounted between the long outriggers of your ST- or MPT base section. Layher screw spindles are placed at the outside for optimum levelling each ballast frame. The system doesn't require any tooling. Standard, pallet-sized water tanks fit on the resulting platforms to create your ballast weight.

### HOW TO USE THE BALLAST FRAME

The ballast frames should be used only in conjunction with long outriggers and stabiliser braces. All ballast frames and ballast should be positioned symmetrically. For any other needed set-ups, please contact our engineering department. The amount of ballast required for a structure is dependent on the outcome of structural analysis. Due to deflection of components not all applied ballast can be activated. The outsides will stay grounded, while the area around the tower will have the tendency to tip or be lifted (see drawing example).



### MPT-005 SPECIFICATIONS

Weight	MPT-005: 17,8 kg/frame
Article Code:	MPT-005 MPT ballast frame 1000kg
Additional items required:	2 x ACC-SPIN-LAY/60-60 SCREWJACK per frame are needed.

